

# BIG 6 AND FORTRESS LOCKING BAR



**BIG 6 PADLOCK**

## The ERA Big 6 Heavy Duty Padlock

incorporates 6 levers for maximum security. The cast bolt is housed in a laminated steel case. There are over 1000 key combinations with master keying available. When used with the ERA Fortress Locking Bar, doors up to 70mm thick can be secured.

The **Fortress Locking Bar** has a drill proof hinge-pin which prevents hacksawing, whilst the hardened forged-steel staple, concealed by the hasp, prevents hacksawing and wrenching. The bars are manufactured from heavy malleable iron castings for maximum strength. All fixing screws are concealed.

## ORDERING DETAILS

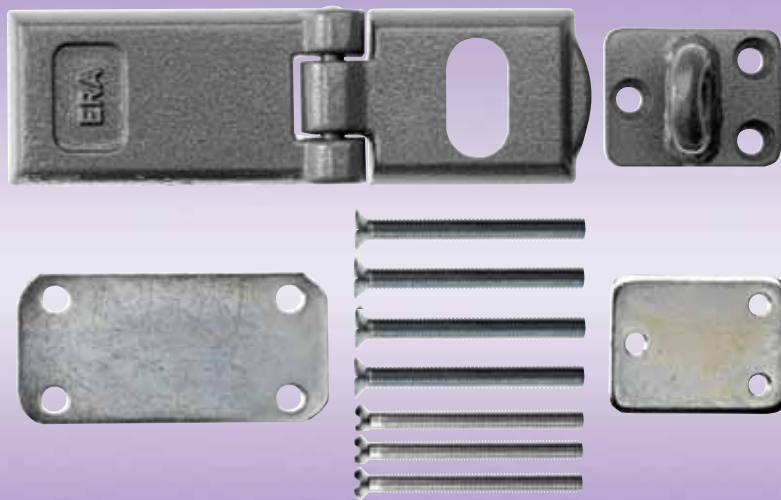
### Big 6 Padlock

73mm (2<sup>7</sup>/<sub>8</sub>" Lock) **212-41**

### Fortress Locking Bar

Fortress **121-41**

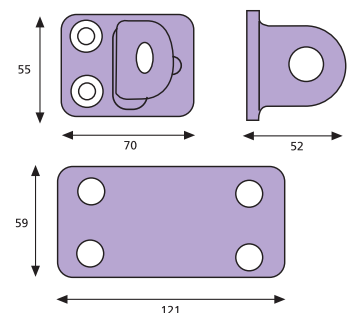
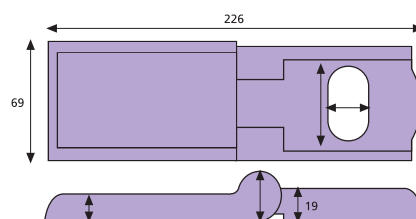
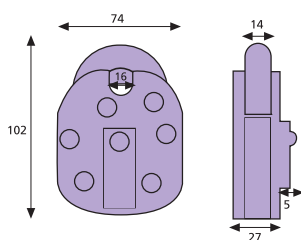
The Big 6 Padlock is also available to pass and under a master key.



**FORTRESS LOCKING BAR**

Big 6 Padlock

Fortress Locking Bar



All dimensions in mm.

# NARROW LOCKING BAR, CLOSE SHACKLE AND ENGLISH LEVER PADLOCK

The **ERA Close Shackle Padlock** has a 5 brass lever locking mechanism with a close hardened steel shackle offering maximum security. Master keying of this product is available. Doors up to 63mm thick can be secured when used in conjunction with the **ERA Narrow Style Security Locking Bar**. This locking bar is manufactured from heavy malleable iron castings for maximum strength. The hardened forged-steel hasp conceals the staple to prevent hacksawing and forced wrenching.

The **ERA English Lever Padlock** has a 4 brass lever locking mechanism with a steel shackle in a pressed steel case. The English Lever Padlock range is ideally suited for general outdoor use. The rim is strongly fortified from inside to prevent other padlock keys from being used. The 2 keys supplied offer 12 key changes.

## ORDERING DETAILS

### Close Shackle Padlock

64mm (2 1/2") 5 Lever Padlock **975-91**

64mm (2 1/2") 5 Lever Padlock **975-92**

The Close Shackle Padlock is also available to pass and also under a master key.

### Narrow Style Locking Bar

Narrow Style **125-41**

### English Lever Padlock

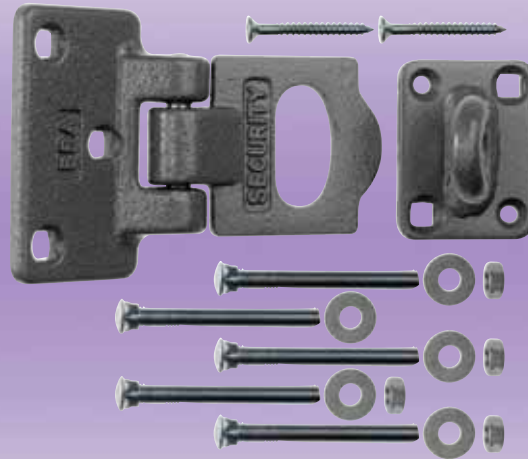
51mm (2") Lock - Boxed **924-91**

51mm (2") Lock - Clam Packed **924-92**

64mm (2 1/2") Lock - Boxed **934-91**



CLOSE SHACKLE PADLOCK



NARROW STYLE LOCKING BAR

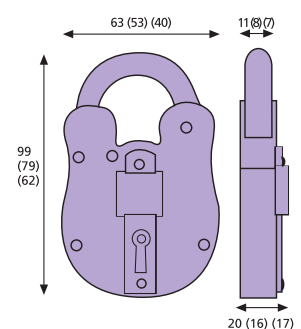
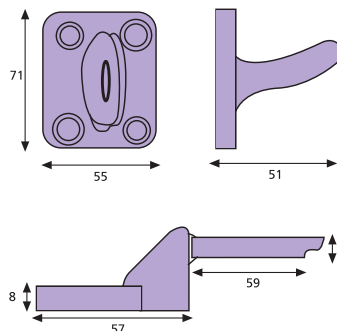
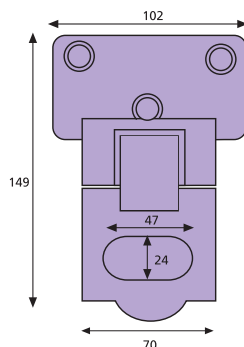
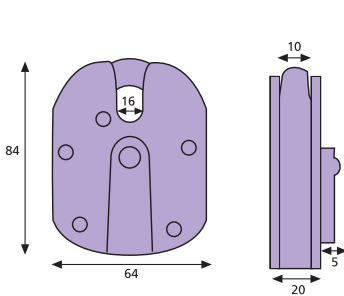


ENGLISH LEVER PADLOCK

Close Shackle Padlock

Narrow Style Locking Bar

English Lever Padlock



All dimensions in mm.