

# BS HIGH SECURITY NIGHTLATCH

The **BS High Security Nightlatch** features an integral cylinder pull which protects the cylinder from being drilled. The cylinder also has well over 30,000 cut key variations. The Nightlatch also comes with a 20mm bolt throw for greater security and strength. This product is ideally suited for glass panelled wooden doors, as it has been designed with an ergonomic internal lockable handle offering added security against forced entry.

The main lock bolt "automatically" deadlocks, this makes the use of a credit card to force entry virtually impossible. The bolt can also be held in the withdrawn position (only) with the use of the snib feature.

The BS High Security Nightlatch conforms to British Standard 3621:2004 (BS EN 12209), and meets the tough criteria laid down by the insurance companies and the Police.

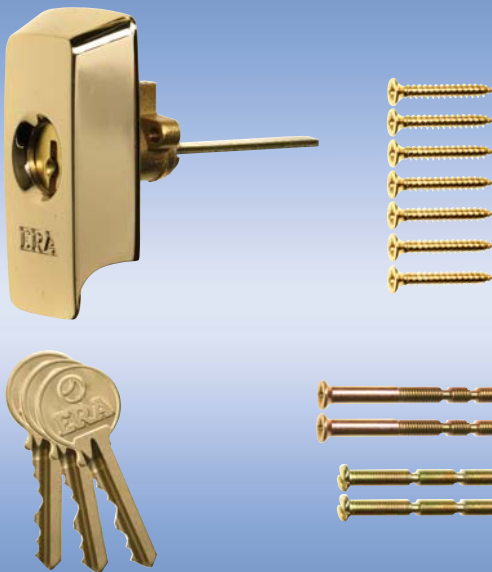
## ORDERING DETAILS

### 40mm Backset (Narrow Style)

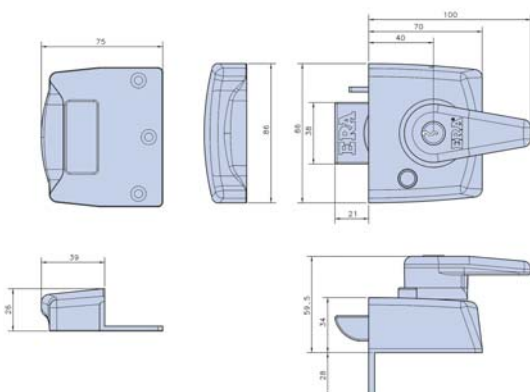
White body, brass cylinder, boxed	<b>1430-11</b>
Brass body,brass cylinder, boxed	<b>1830-31</b>
Brass body,brass cylinder, clam, packed	<b>1830-32</b>
Satin Chrome body, satin cylinder, boxed	<b>1830-35-1</b>
Satin Chrome body, satin cylinder, clam packed	<b>1830-35-2</b>
Polished Chrome body, satin cylinder, boxed	<b>1830-37-1</b>
Polished Chrome body, satin cylinder, boxed	<b>1830-37-2</b>
Satin nickel body, satin cylinder, boxed	<b>1830-40-1</b>
Satin nickel body, satin cylinder, boxed	<b>1830-40-2</b>

### 60mm Backset (Standard Style) – for wooden doors

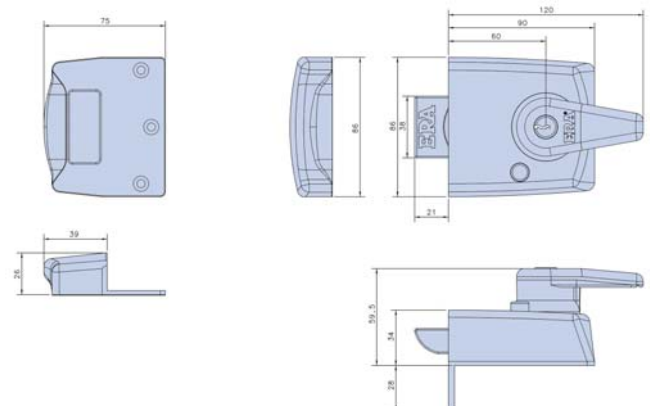
Brass body,brass cylinder, boxed	<b>1930-31</b>
Brass body,brass cylinder, clam, packed	<b>1930-32</b>
Satin Chrome body, satin cylinder, boxed	<b>1930-35-1</b>
Satin Chrome body, satin cylinder, clam packed	<b>1930-35-2</b>
Polished Chrome body, satin cylinder, boxed	<b>1930-37-1</b>
Polished Chrome body, satin cylinder, boxed	<b>1930-37-2</b>
Satin nickel body, satin cylinder, boxed	<b>1930-40-1</b>
Satin nickel body, satin cylinder, boxed	<b>1930-40-2</b>



40mm BS Nightlatch



60mm BS Nightlatch



All dimensions in mm.

# DOUBLE LOCKING NIGHTLATCH

The ERA Double Locking Nightlatch is available in both 40mm and 60mm backset, designed to replace most existing front door locks. The product is ideally suited for solid and glass panelled wooden doors, as it has been designed with an ergonomic internal locking handle offering added security against forced entry.

The main lock bolt is "automatically" deadlocked when the door is closed, preventing the main bolt being retracted by a credit card. The inside handle can be deadlocked by an anti-clockwise turn of the key from the inside so securing the lock against forced entry. The bolt can be held in the withdrawn position (only) with the use of the snib feature.

The nightlatch case is available in brass, grey and a new range of chrome finishes, with matching brass and satin rim cylinders.

The bolt cannot be reversed.

## ORDERING DETAILS

### Double Locking Nightlatch

#### 40mm Backset (Narrow Style)

Brass body, brass cylinder, boxed	<b>183-31</b>
Brass body, brass cylinder, clam packed	<b>183-32</b>
Grey body, brass cylinder, boxed	<b>184-31</b>
Grey body, brass cylinder, clam packed	<b>184-32</b>
Satin chrome body, satin cylinder, boxed	<b>183-35-1</b>
Polished chrome body, satin cylinder, boxed	<b>183-37-1</b>
Satin nickel chrome body, satin cylinder, boxed	<b>183-40-1</b>

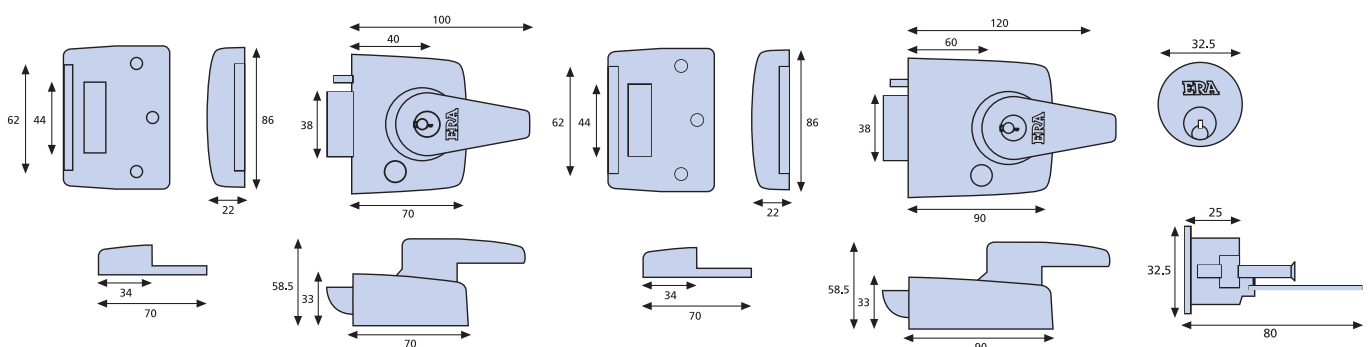
#### 60mm Backset (Standard Style)

Brass body, brass cylinder, boxed	<b>193-31</b>
Brass body, brass cylinder, clam packed	<b>193-32</b>
Grey body, brass cylinder, boxed	<b>194-31</b>
Grey body, brass cylinder, clam packed	<b>194-32</b>
Satin chrome body, satin cylinder, boxed	<b>193-35-1</b>
Polished chrome body, satin cylinder, boxed	<b>193-37-1</b>
Satin nickel chrome body, satin cylinder, boxed	<b>193-40-1</b>



40mm Double Locking Nightlatch

60mm Double Locking Nightlatch



All dimensions in mm.

# REPLACEMENT FRONT DOOR LOCK

The **Replacement Front Door Lock**, comes with the option of having a deadlocking or non-deadlocking facility on the external cylinder, also with a newly designed lock body with larger footprints which will hide most existing marks on the door. Accidental locking is avoided by a bolt hold back facility on the body of the lock rather than the handle. The easy grip handle is ideally suited for the elderly.

The Replacement Front Door Lock is available in standard (60mm) and narrow (40mm) sizes and with four case finishes; brass, satin, polished chrome and white, complete with either Brass or Chrome cylinders.

## ORDERING DETAILS

### 40mm Backset (Narrow Style)

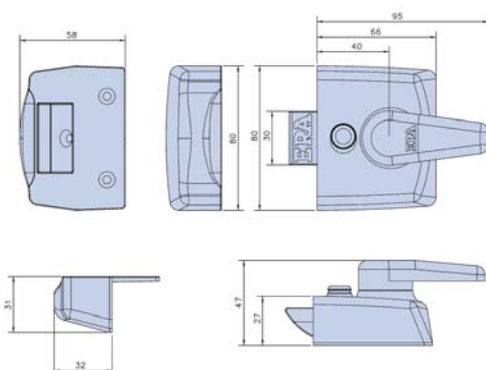
White body, brass cylinder, boxed	<b>1430-11</b>
White body, brass cylinder, clam pack	<b>1430-12</b>
Brassed body,brass cylinder, boxed	<b>1430-31</b>
Brassed body,brass cylinder, clam pack	<b>1430-32</b>
Satin body, Brass cylinder, boxed	<b>1430-51</b>
Satin body, Brass cylinder, clam pack	<b>1430-52</b>
Polished Chrome body, satin cylinder, boxed	<b>1430-37-1</b>
Polished Chrome body, satin cylinder, clam pack	<b>1430-37-2</b>

### 60mm Backset (Standard Style) – for wooden doors

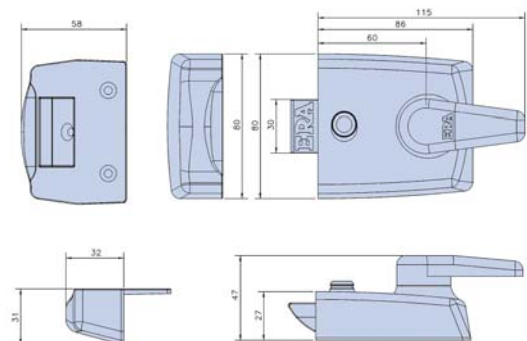
White body, brass cylinder, boxed	<b>1630-11</b>
White body, brass cylinder, clam pack	<b>1630-12</b>
Brassed body,brass cylinder, boxed	<b>1630-31</b>
Brassed body,brass cylinder, clam pack	<b>1630-32</b>
Satin body, Brass cylinder, boxed	<b>1630-51</b>
Satin body, Brass cylinder, clam pack	<b>1630-52</b>
Polished Chrome body, satin cylinder, boxed	<b>1630-37-1</b>
Polished Chrome body, satin cylinder, clam pack	<b>1630-37-2</b>



40mm Front Door Lock



60mm Front Door Lock



All dimensions in mm.

# TRADITIONAL DOOR LOCK

The **ERA Traditional Door Lock** has been designed to replace most existing front door locks, providing added security to new exterior and interior doors.

The lock is suitable for left or right handed operation, inward or outward opening doors. A simple snib button deadlocks the latch from the inside.

The Traditional Door Lock is available in brass or green finish, and has a choice of brass or satin finish cylinders, supplied with three cut keys. For outward opening doors the staple is only available in Green.



## ORDERING DETAILS

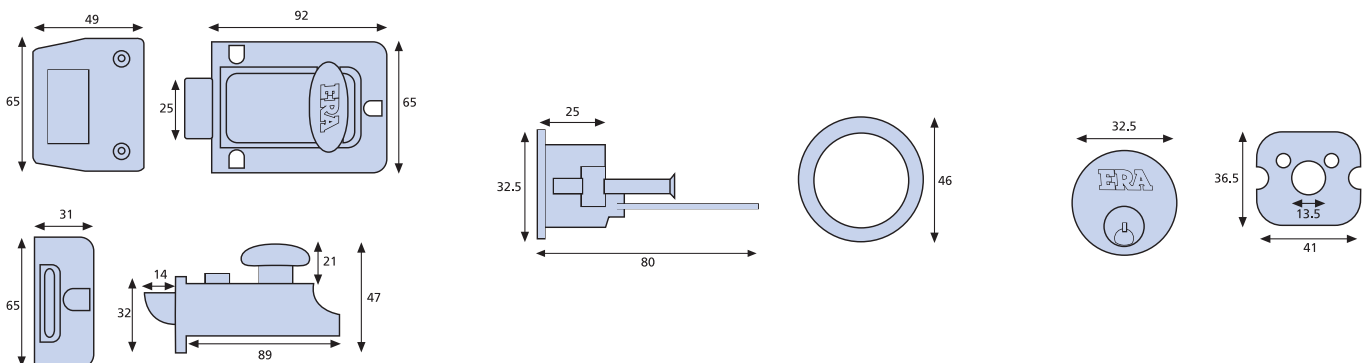
### Traditional Door Locks

#### 60mm Backset (Standard Style)

Green body, brass cylinder, box	<b>133-81</b>
Green body, satin cylinder, box	<b>135-81</b>
Green body, brass cylinder, clam pack	<b>133-82</b>
Green body, satin cylinder, clam pack	<b>135-82</b>
Brassed body, brass cylinder, box	<b>133-31</b>
Brassed body, brass cylinder, clam pack	<b>133-32</b>



Traditional Door Lock



All dimensions in mm.